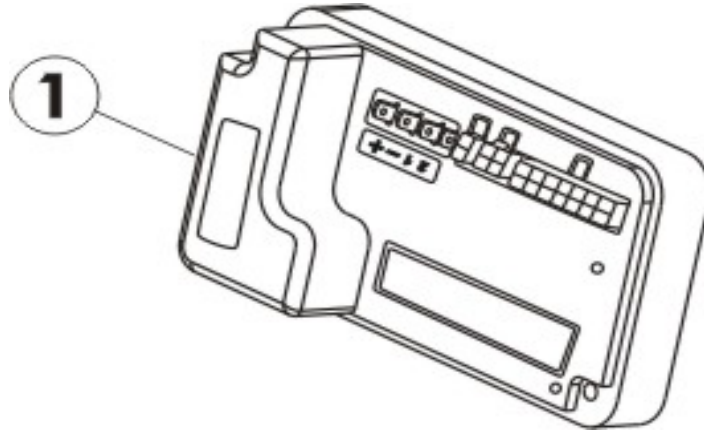


LRM302204      Controller



Item	Part Number	Description	Qty.
1	LRM302204-01	Controller, P&G S-Drive 45A	1