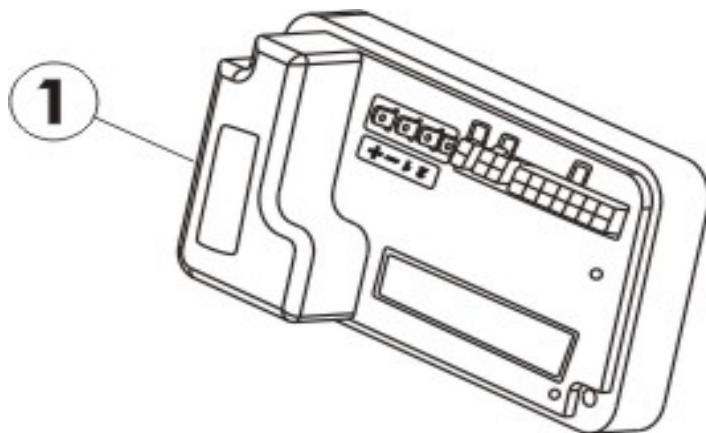


LRM402204 Controller



Item	Part Number	Description	Qty.
1	LRM402204-01	Controller, P&G S-Drive 45a	1